

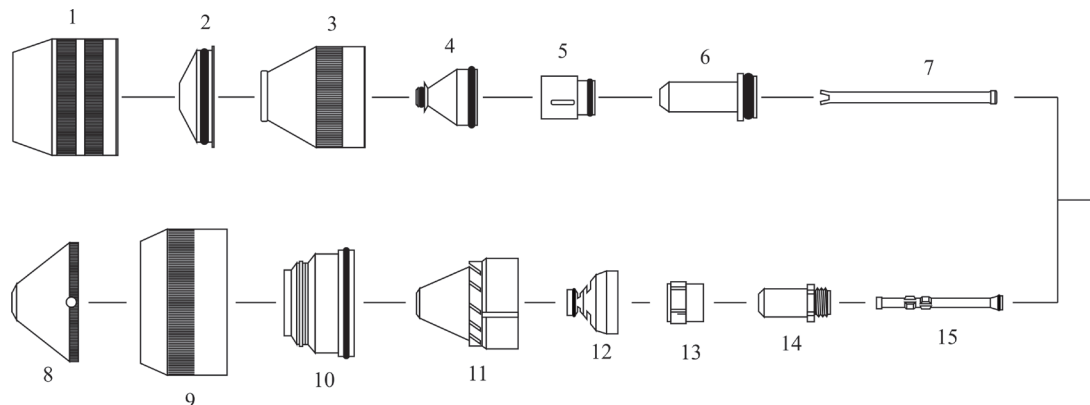


**KJELLBERG<sup>®</sup>**

System: *HiFocus 280i-360i-440i<sup>®</sup>*

Torch: *PerCut 370.2M - řezání do 440A*

*YellowXLife*



ITEM	REF. NUMBER	ORDER NUMBER	DESCRIPTION
08.	.11.833.101.150	BP-30702	Shield V4330 - ø 3,0mm (dry cutting)
	.11.833.101.155	BP-30703	Shield V4335 - ø 3,5mm (dry cutting)
	.11.833.101.156	BP-30704	Shield V4340 - ø 4,0mm (dry cutting)
	.11.833.101.157	BP-30705	Shield V4345 - ø 4,5mm (dry cutting)
	.11.833.101.158	BP-30706	Shield V4350 - ø 5,0mm (dry cutting)
	.11.833.101.159	BP-30707	Shield V4360 - ø 6,0mm (dry cutting)
	09.	.11.841.721.081	BP-30708
10.	.11.836.901.271	BP-30709	Swirl gas nozzle T521 "OEM"
	.11.836.921.271	BP-30710	Swirl gas nozzle T522 "OEM"
11.	.11.836.901.163	BP-30711	Retaining cap T3030 - 30 CW
	.11.836.901.164	BP-30712	Retaining cap T3045 - 45 CW
	.11.836.901.1641	BP-30713	Retaining cap T3145 - 45 CCW
	.11.836.901.165	BP-30714	Retaining cap T3060 - 60 CW
	.11.836.901.1651	BP-30715	Retaining cap T3160 - 60 CCW
12.	.11.846.921.415	BP-30729	Nozzle T2115Y - ø 1,5mm, 120A, O2
	.11.846.921.420	BP-30730	Nozzle T2120Y - ø 2,0mm, 200A, O2
	.11.846.921.425	BP-30731	Nozzle T2125Y - ø 2,5mm, 250A, O2
	.11.846.921.427	BP-30732	Nozzle T2127Y - ø 2,7mm, 300A, O2
	.11.846.921.430	BP-30733	Nozzle T2130Y - ø 3,0mm, 360A, O2
13.	.11.836.921.153	BP-30721	Swirl ring T101 - (6x0,8 CW) / (teflon <sup>®</sup> )
	.11.836.921.154	BP-30722	Swirl ring T102 - (3x0,6 CW) / (teflon <sup>®</sup> )
	.11.836.921.1542	BP-30723	Swirl ring T104 - (3x0,4 CW) / (teflon <sup>®</sup> )
	.11.836.921.1531	BP-30724	Swirl ring T111 - (6x0,8 CCW) / (teflon <sup>®</sup> )
	.11.836.921.1541	BP-30725	Swirl ring T112 - (3x0,6 CCW) / (teflon <sup>®</sup> )
14.	.11.844.921.300AG	BP-30735	Cathode T012Y O2 <b>SILVER</b>
15.	.11.844.901.152	BP-30736	Cooling tube - T902Y "OEM"